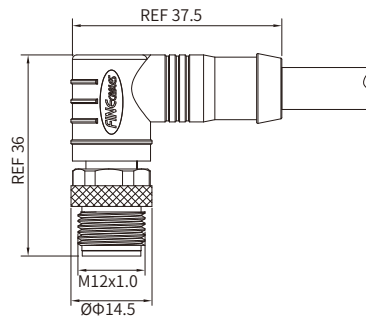


M12 Y1-coding

M12 Y1-coding Angled Connector, Molded Cable, Shielded

Male



■ Specifications

Contacts	6
Pin layout(Male)	
Standard	IEC 61076-2-113
Ambient temperature	-25°C ~ +85°C (flexible installation) , -40°C ~ +85°C (fixed installation)
Connector insert	PA+GF
Connector contacts	Brass with gold plated
Connector overmold	TPU
Coupling nut/screw	Brass with nickel plated
Seal/O-ring	FKM
Insulation resistance	≥ 100MΩ
Contact resistance	≤ 10mΩ
Shielding	Available
IP rating	IP67 in locked condition
Mating endurance	>500 cycles
Rated current	10 A(Power pins) / 0.5A(Data pins)
Rated voltage	50V AC/ DC
Wire gauge	1.25 mm ² (AWG 16)(Power pins) / 0.15 mm ² (AWG 26)(Data pins)

■ Part Number

Pins	Cable length	Male	
		PVC	PUR
6	1m	MA12MSY1F06RA-10CB25	MA12MSY1F06RA-10RB25
	3m	MA12MSY1F06RA-30CB25	MA12MSY1F06RA-30RB25
	5m	MA12MSY1F06RA-50CB25	MA12MSY1F06RA-50RB25

■ Default wire colors

Pin No.		
Pin 1(Power)	BK	
Pin 2(Power)	RD	
Pin 5(Data)	WH	
Pin 6(Data)	RD	
Pin 7(Data)	OR	
Pin 8(Data)	GN	
Shell	Braid	